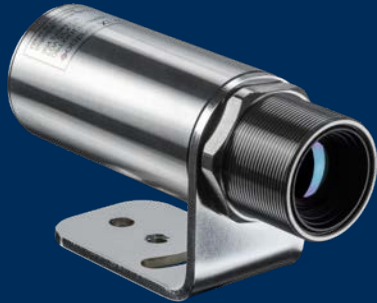


Compact spot finder IR camera



Features:

- Industrial imager with 384 x 240 pixels for exact temperature measurement of -20 °C ... 900 °C
- Small sized rugged camera with motorized focus
- Autonomous operation with auto hot spot finder and direct analog or alarm output – ideal for condition monitoring and OEM use
- Optional stackable industrial process interface with up to 9 analog or alarm outputs
- Software with extensive analysis features and web server capability included



Xi 410 infrared imagers for remote condition monitoring

Technical Specifications

Optical resolution	384 x 240 pixels	
Detector	FPA, uncooled (17 µm pitch)	
Spectral range	8 – 14 µm	
Temperature ranges	-20 ... 100 °C, 0 ... 250 °C, (20) 150 ... 900 °C ¹⁾ , 200 ... 1500 °C ²⁾ (option)	
Optical resolution / Frame rate	Ethernet: 384 x 240 pixels @ 25 Hz USB: 384 x 240 pixels @ 4 Hz	autonomous operation: 384 x 240 pixels @ 1.5 Hz
Optics (FOV)	18° x 12° (f = 20 mm) 29° x 18° (f = 13 mm) 53° x 31° (f = 8 mm) 80° x 44° (f = 6 mm)	
Focus	Manual motor focus	
Optical resolution (D:S)	390:1 (18° optics)	
Thermal sensitivity (NETD)	60 mK	
Accuracy	±2 °C or ±2 %, whichever is greater	
PC interface	Fast Ethernet / USB 2.0 / RS485	
Direct Output / Input	1x analog output (0/4-20 mA) / 1x input (analog or digital); electrically isolated	
Process interface (PIF), industrial	3x analog outputs (0/4–20 mA or 0–10 V) and 3x alarm outputs (relays) / 3x inputs (analog or digital) / fail-safe (LED and relay) stackable up to 3 PIFs; electrically isolated	
Cable length	Ethernet: 1 m (standard), 5 m, 10 m, 20 m (up to 100 m) USB: 1 m, 3 m, 5 m	
Ambient temperature	0 °C ... 50 °C	
Enclosure (size / rating)	Ø 36 mm x 100 mm (M30x1 thread) / IP 67 (NEMA 4)	
Weight (without mounting bracket)	216 - 220 g, depending on lens	
Shock ³⁾ / Vibration ³⁾	IEC 60068-2-27 (25G and 50G) / IEC 60068-2-6 (sinus shaped), IEC 60068-2-64 (broadband noise)	
Power supply	5 - 30 V DC / PoE / USB	
Scope of supply	<ul style="list-style-type: none"> • Process imager Xi 410 • Ethernet/ PoE cable (1 m)/ USB cable (1 m) • IN/ OUT cable incl. terminal block (1 m) • Mounting bracket with tripod thread, mounting nut • Software package optris PIX Connect 	

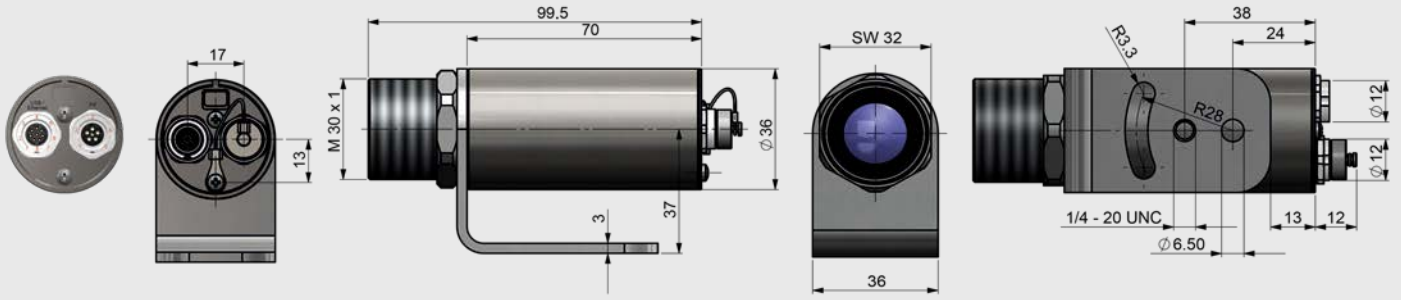
¹⁾ Accuracy statement effective from 150 °C

²⁾ If this option is ordered the (20)150 ... 900 °C range is not available

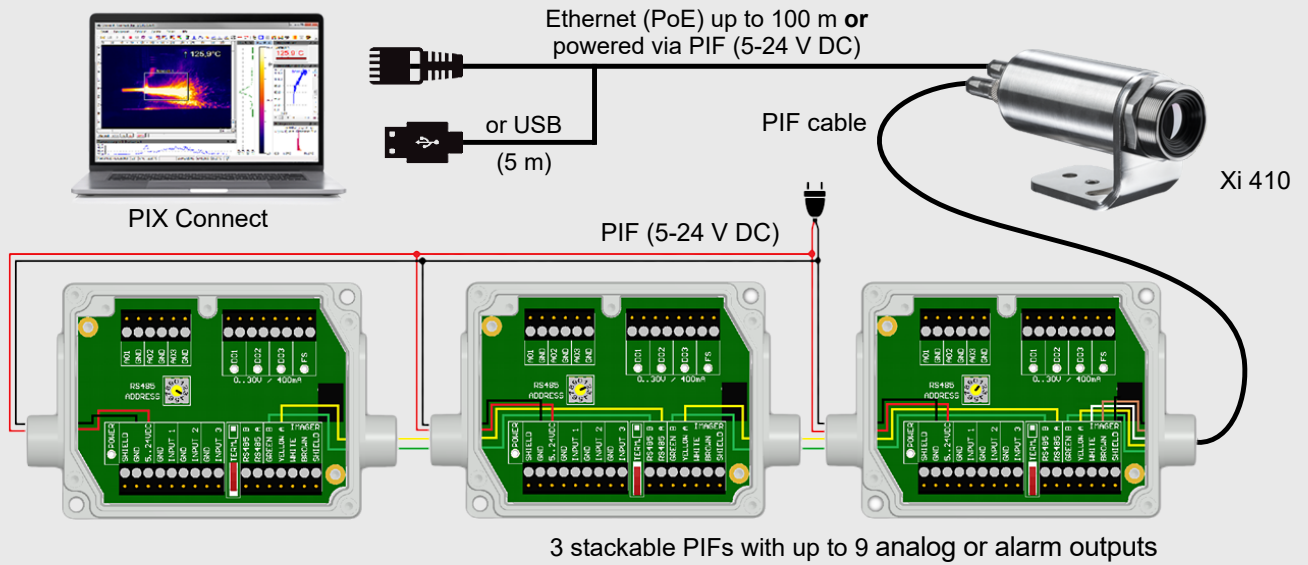
³⁾ For more details see operator's manual

optris Xi 410

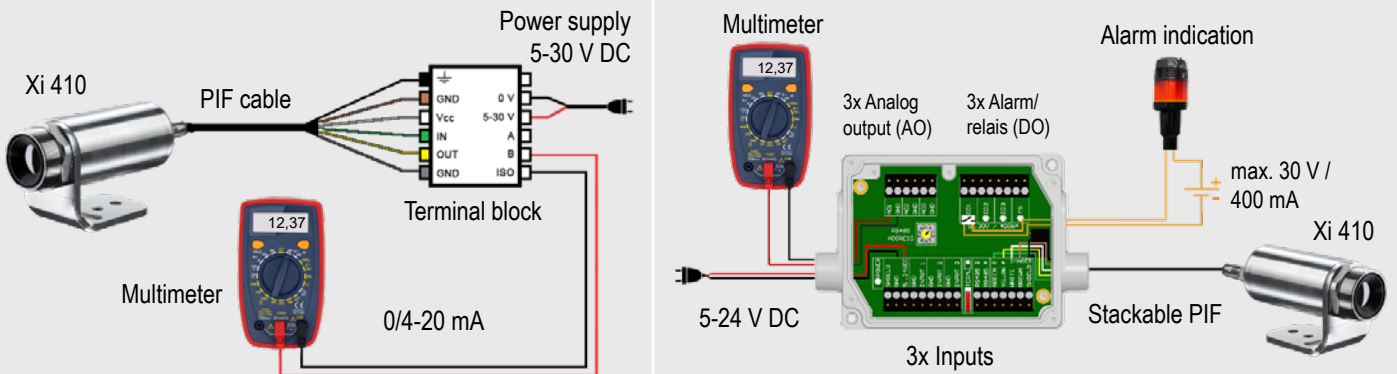
Dimensions in mm



Operation with PIX Connect software and 3 stackable PIFs



Autonomous operation (without PC) with up to 3 analog outputs/ alarm outputs



Accessories

ACXIAPL (Air purge unit) + **ACXIAPLAB** (Mounting bracket)



ACXIMW (Water cooled housing)



ACXISCBxx* (Shutter) + **ACXIAPLAB** (Mounting bracket)



*) xx = for different cable lengths